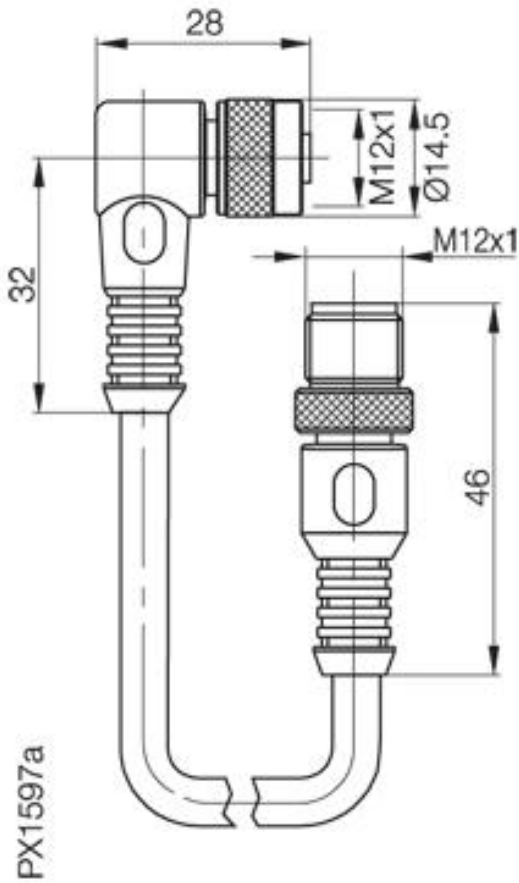


## Accessories: Connectors BKS-B 20-3-GS4-PU-



### Common Data

Version  
Usable with  
Ambient temperature

Connection cable, angle, 4-pins  
on Sensors with connection S4  
(DC, PNP-Antivalent, M12)  
-25...+85°C

### Mechanical Data

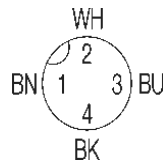
Measurements WxHxD or Dia x D  
Protection class per IEC 60529  
Cable version  
Conductor cross section

28x32,5x15 + 46xØ14,5  
IP67  
LifY Y-11Y-0  
4x0,25

### Electrical Data

Supply voltage

10...30V DC



Datasheet number::

Definitions see general catalog.  
If not otherwise noted, ratings according to  
IEC 60947-5-2 (DIN EN60947-5-2)

Balluff GmbH  
Schurwaldstrasse 9  
73765 Neuhausen a.d.F.  
Phone (07158) 173-0 Fax (07158) 5010

Datenblatt by CD-ROM - 04/2007

**BALLUFF**  
sensors worldwide